

TRAPEZE® 4 PENDANT

INSPIRED BY THE TENSION AND DYNAMICS OF THE CIRCUS ACT, THIS PENDANT IS A TRIANGLE FIXED IN SPACE. UNINTERRUPTED LINES SUSPEND GLOWING CIRCLES FROM THE CEILING CREATING SOFT LIGHT AND GRAPHIC APPEAL. AVAILABLE WITH EITHER BRASS OR HAND-CAST PORCELAIN BOWLS.

© 2014, APPARATUS LLC
WWW.APPARATUSSTUDIO.COM/PATENTS

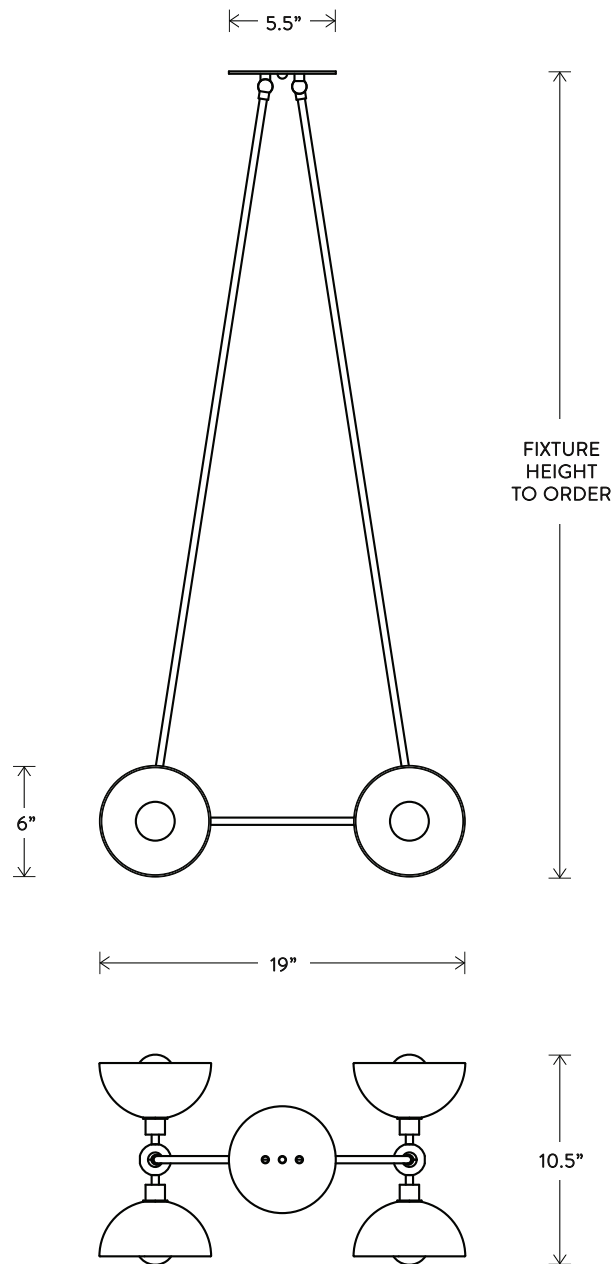
A P P A R A T U S

INFO@APPARATUSSTUDIO.COM / 646.527.9732

A P P A R A T U S S T U D I O . C O M

TRAPEZE[®] 4

PENDANT



DIMENSIONS: 19" W, 10.5" D
HEIGHT TO ORDER
INCLUDES UP TO 60"
ADDITIONAL HEIGHT \$20 PER INCH
MINIMUM HEIGHT 16"
APPROXIMATE WEIGHT: 5 LBS

LAMPING: MAX 60W EACH
4 3W DIMMABLE LED BULBS INCLUDED
240 LUMENS EACH, 2500K COLOR TEMPERATURE
BULB LIFE: 30,000 HOURS
120V: E12 GLOBE SM: MATTE WHITE, Ø 1.75"
240V: E14 GLOBE SM: MATTE WHITE, Ø 1.75"

UL / CE APPROVED
VOLTAGE: 120-240

FINISHED AND ASSEMBLED BY HAND IN NY FROM
DOMESTIC AND IMPORTED COMPONENTS.
CUSTOMIZATION AVAILABLE.
ALL PIECES MADE TO ORDER.
50% DEPOSIT REQUIRED.
BALANCE DUE PRIOR TO SHIPPING.
LEAD TIME APPROXIMATELY 8-10 WEEKS.

\$3400 BRASS
\$4000 PORCELAIN OR TWO-TONE BOWLS
TWO-TONE IS AGED BRASS BOWL INTERIOR WITH
BLACKENED BRASS BOWL EXTERIOR.
FINISHES TO ORDER
ADD 30% FOR TARNISHED SILVER

© 2014, APPARATUS LLC
Patent No.D767,197
WWW.APPARATUSSTUDIO.COM/PATENTS

A P P A R A T U S

INFO@APPARATUSSTUDIO.COM / 646.527.9732

A P P A R A T U S S T U D I O . C O M