



## CIRCUIT™ 1

THE CIRCUIT SERIES CREATES RHYTHM WITH THE REPETITION OF PURE SHAPES. A GLOWING GLASS CAPSULE NESTS IN A BRASS SHADE, BECOMING A CONTAINED FORM THAT MULTIPLIES TO CONSTRUCT LARGER FIXTURES. THE CIRCUIT 1 CAN BE CEILING OR WALL MOUNTED.

© 2016, APPARATUS LLC  
WWW.APPARATUSSTUDIO.COM/PATENTS

# A P P A R A T U S

INFO@APPARATUSSTUDIO.COM / 646.527.9732

A P P A R A T U S S T U D I O . C O M

# CIRCUIT™ 1

DIMENSIONS: 18" H, 5.5" W, 3.5" D  
APPROXIMATE WEIGHT: 5 LBS

LAMPING: 1 16W DIMMABLE LED MODULE  
1700 LUMENS, 2700K COLOR TEMPERATURE  
LED ONBOARD DRIVER  
BULB LIFE: 50,000 HOURS

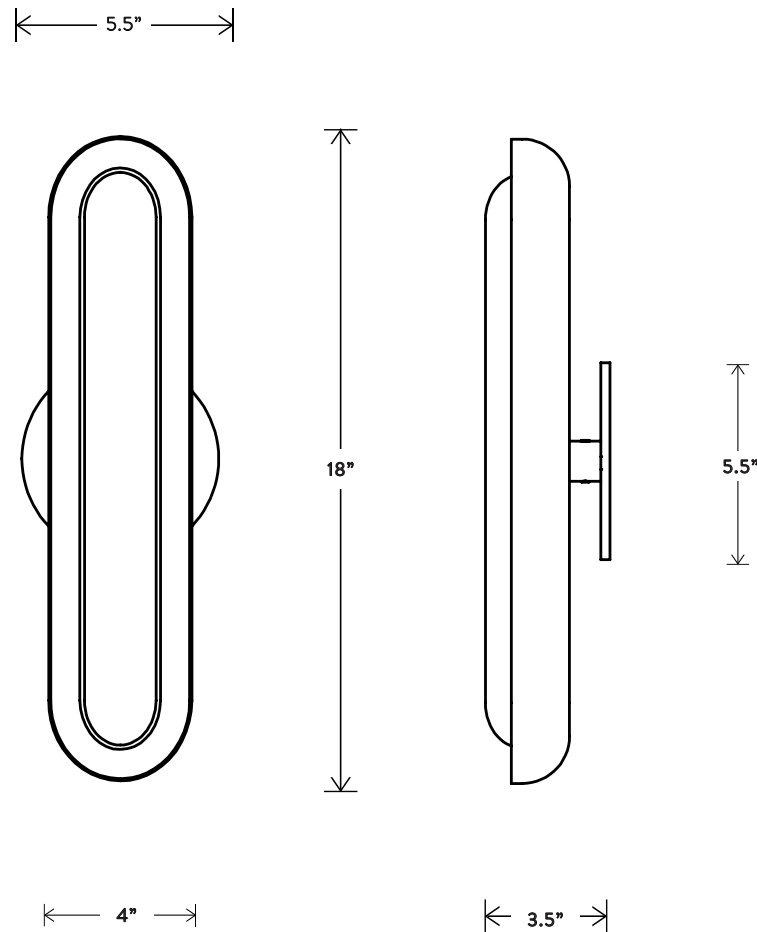
UL / CE APPROVED  
VOLTAGE: 120-240

FINISHED AND ASSEMBLED BY HAND IN NY FROM  
DOMESTIC AND IMPORTED COMPONENTS.  
CUSTOMIZATION AVAILABLE.  
ALL PIECES MADE TO ORDER.  
50% DEPOSIT REQUIRED.  
BALANCE DUE PRIOR TO SHIPPING.  
LEAD TIME APPROXIMATELY 8-10 WEEKS.

\$2550  
\$2900 FOR TWO-TONE SHADES  
TWO-TONE IS AGED BRASS SHADE INTERIOR WITH  
BLACKENED BRASS SHADE EXTERIOR.  
FINISHES TO ORDER  
ADD 30% FOR TARNISHED SILVER

REQUIRES A MAGNETIC LOW VOLTAGE DIMMER

© 2016, APPARATUS LLC  
WWW.APPARATUSSTUDIO.COM/PATENTS



# A P P A R A T U S

INFO@APPARATUSSTUDIO.COM / 646.527.9732

A P P A R A T U S S T U D I O . C O M