



## LINK PORCELAIN™ QUAD-LIGHT

CREATED IN COLLABORATION WITH CERAMICIST ALICE GOLDSMITH, THE LINK PORCELAIN PENDANT EXAMINES BOTH THE STRENGTH AND VULNERABILITY OF THE ARTIST'S PORCELAIN CHAIN. FRACTURED LINKS SUSPEND OVERSIZED BRASS SHADES, THEIR FRAGILITY ANCHORED AND PROTECTED BY THE OPPOSITIONAL METAL. HANDMADE PORCELAIN LINKS WITH SPUN BRASS SHADE AND WOVEN BRASS MESH CORD.

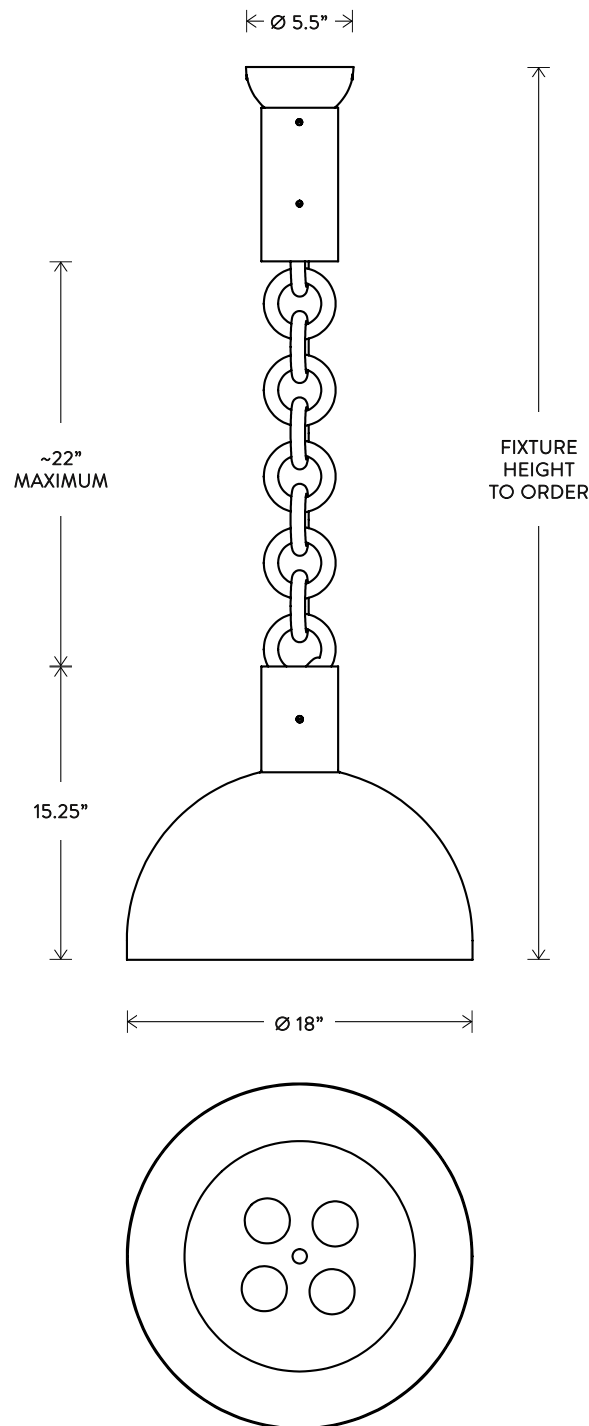
© 2015, APPARATUS LLC  
WWW.APPARATUSSTUDIO.COM/PATENTS

# A P P A R A T U S

INFO@APPARATUSSTUDIO.COM / 646.527.9732

A P P A R A T U S S T U D I O . C O M

# LINK PORCELAIN™ QUAD-LIGHT



DIMENSIONS: Ø 18"  
HEIGHT TO ORDER  
INCLUDES UP TO 60"  
ADDITIONAL HEIGHT \$20 PER INCH  
MINIMUM HEIGHT: 33"  
MAXIMUM HEIGHT: 106"  
APPROXIMATE WEIGHT: 30 LBS

LAMPING: MAX 60W EACH  
4 3W DIMMABLE LED BULBS INCLUDED  
240 LUMENS EACH, 2500K COLOR TEMPERATURE  
BULB LIFE: 30,000 HOURS  
120V: E26 GLOBE M: MATTE WHITE, Ø 1.75"  
240V: E27 GLOBE M: MATTE WHITE, Ø 1.75"

UL / CE APPROVED  
VOLTAGE: 120-240

FINISHED AND ASSEMBLED BY HAND IN NY FROM  
DOMESTIC AND IMPORTED COMPONENTS.  
CUSTOMIZATION AVAILABLE.  
ALL PIECES MADE TO ORDER.  
50% DEPOSIT REQUIRED.  
BALANCE DUE PRIOR TO SHIPPING.  
LEAD TIME APPROXIMATELY 8-10 WEEKS.

\$9600

FINISHES TO ORDER  
ADD 30% FOR TARNISHED SILVER

© 2015, APPARATUS LLC  
WWW.APPARATUSSTUDIO.COM/PATENTS

# A P P A R A T U S

INFO@APPARATUSSTUDIO.COM / 646.527.9732

A P P A R A T U S S T U D I O . C O M