



MEDIAN™ TABLE LAMP

THE TRANSLUCENT ALABASTER PLANES OF THE MEDIAN SERIES ARE INTERSECTED BY A FLUTED BRASS FORM, REFERENCING TRADITIONAL MIDDLE EASTERN JEWELRY WHILE PUSHING IT THROUGH A FUTURIST LENS. THE STONE GLOWS FROM A LIGHT SOURCE THAT REMAINS HIDDEN, ILLUMINATING THE RELATIONSHIP BETWEEN THE SOLID AND THE PERMEABLE. A DIMMER IS SET INTO THE BRASS CAP.

© 2018, APPARATUS LLC

PATENT PENDING / TRADEMARK PENDING

APPARATUS

INFO@APPARATUSSTUDIO.COM / 646.527.9732

APPARATUSSTUDIO.COM

MEDIAN™

TABLE LAMP

DIMENSIONS: 16" H, Ø 11"

LAMPING: 2 8W DIMMABLE LED MODULE
800 LUMENS EACH, 2500K COLOR TEMPERATURE
LED ONBOARD DRIVER
LED LIFE: 50,000 HOURS

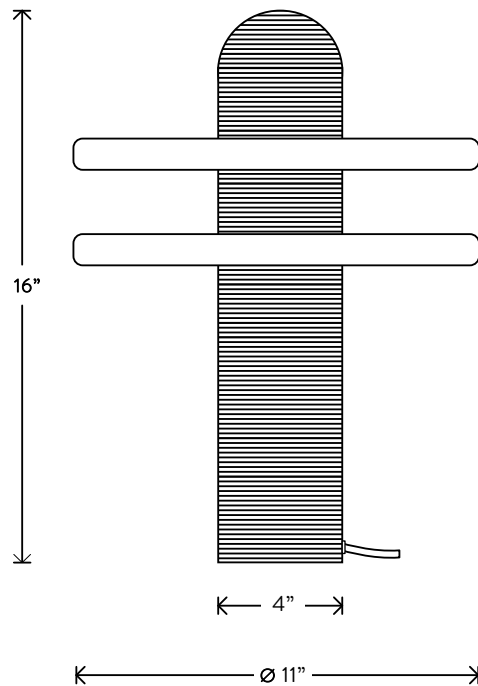
UL / CE PENDING
VOLTAGE: 120-240

FINISHED AND ASSEMBLED BY HAND IN NY FROM
DOMESTIC AND IMPORTED COMPONENTS.
CUSTOMIZATION AVAILABLE.
ALL PIECES MADE TO ORDER.
50% DEPOSIT REQUIRED.
BALANCE DUE PRIOR TO SHIPPING.
LEAD TIME APPROXIMATELY 8-10 WEEKS.

\$3900
FINISHES TO ORDER
ADD 30% FOR TARNISHED SILVER

© 2018, APPARATUS LLC

PATENT PENDING / TRADEMARK PENDING



APPARATUS

INFO@APPARATUSSTUDIO.COM / 646.527.9732

APPARATUSSTUDIO.COM