



SEGMENT™ 6 DINING TABLE

THE TRANSLUCENT RESIN BASES OF THE SEGMENT SERIES LIFT SOFTLY-ROUNDED FORMS, CREATING A VISUAL PLAY BETWEEN DENSITY AND LIGHTNESS. THE UNDERSIDE OF THE LACQUER TABLE TOPS BULGE AS THOUGH BEING PULLED BACK TO THE FLOOR, ANCHORING ONE FORM TO THE OTHER - THE HOLDER TO THE HELD. BOUND TOGETHER WITH FLUTED BRASS HARDWARE, THE HAND-CAST RESIN PLANES CREATE PASSAGES WHICH ALLOW LIGHT TO MOVE BENEATH THE LUSTROUS SURFACES.

© 2017, APPARATUS LLC

APPARATUS

INFO@APPARATUSSTUDIO.COM / 646.527.9732

APPARATUSSTUDIO.COM

SEGMENT™ 6

DINING TABLE

STUDIO EXCLUSIVE

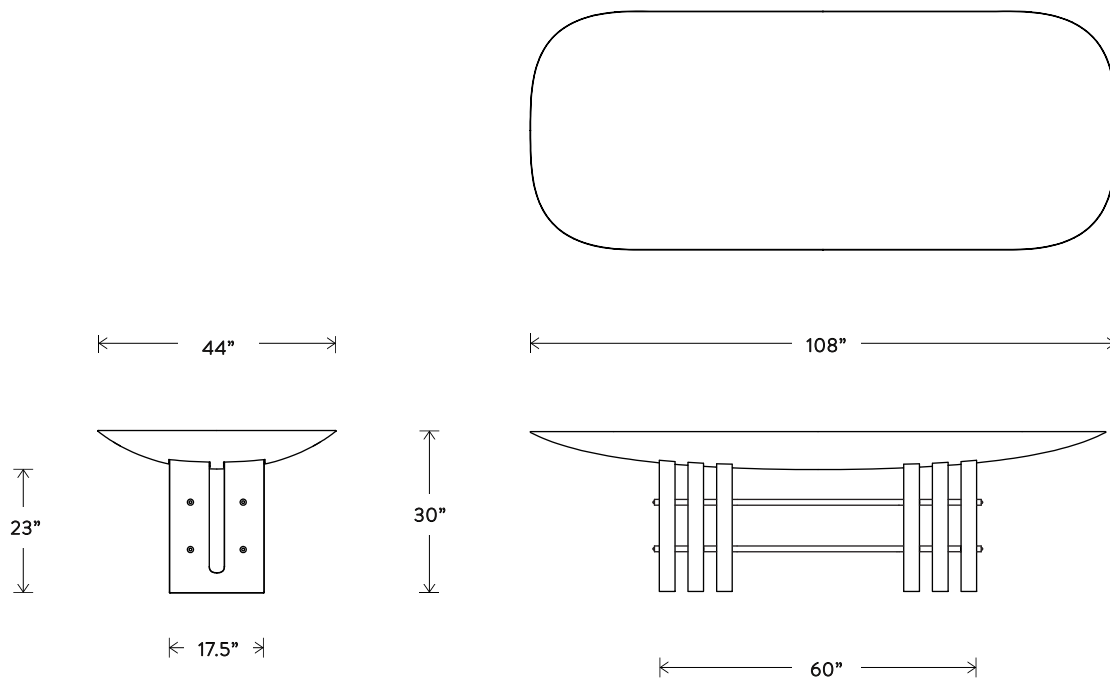
DIMENSIONS: 30" H, 108" W, 44" D

FINISHED AND ASSEMBLED BY HAND IN NY FROM DOMESTIC COMPONENTS.
CUSTOMIZATION AVAILABLE.
ALL PIECES MADE TO ORDER.
50% DEPOSIT REQUIRED.
BALANCE DUE PRIOR TO SHIPPING.
LEAD TIME APPROXIMATELY 14-16 WEEKS.

AVAILABLE LACQUER COLORS: BLACK, CINNABAR, GREEN, IVORY, OXBLOOD

\$52000

© 2017, APPARATUS LLC



APPARATUS

INFO@APPARATUSSTUDIO.COM / 646.527.9732

APPARATUSSTUDIO.COM