



METRONOME™ TABLE LAMP

THE METRONOME SERIES EVOKES THE MEASURE AND BALANCE OF ITS NAMESAKE. A PATINATED BRASS SPHERE PERCHES ATOP THE CONICAL BASE, WHICH IS HAND-WRAPPED IN CALF SUEDE TO PROVIDE A LUSH TACTILE CONTRAST. A CHANNEL IN THE FIRMLY GROUNDED BASE REVEALS AN INTIMATE CONNECTION BETWEEN THE TWO FORMS. A DIMMER KNOB IS SET INTO THE BASE.

© 2017, APPARATUS LLC

APPARATUS

INFO@APPARATUSSTUDIO.COM / 646.527.9732

APPARATUSSTUDIO.COM

METRONOME™ TABLE LAMP

STUDIO EXCLUSIVE

DIMENSIONS: 22" H, Ø 13.5"

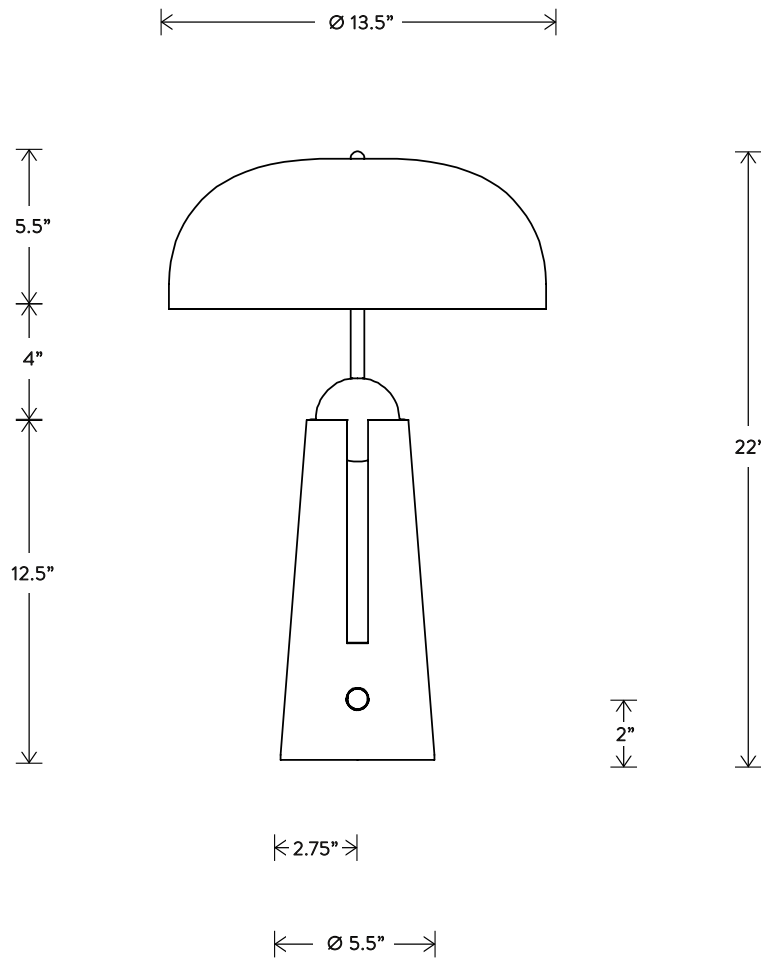
120V LAMPING: 2 TYPE E12 G16 BULBS, MAX 60W EACH
60W BULBS INCLUDED
240V LAMPING: 2 TYPE E14 BULBS, MAX 60W

UL APPROVED
VOLTAGE: 120-240

FINISHED AND ASSEMBLED BY HAND IN NY FROM
DOMESTIC AND IMPORTED COMPONENTS.
CUSTOMIZATION AVAILABLE.
ALL PIECES MADE TO ORDER.
50% DEPOSIT REQUIRED.
BALANCE DUE PRIOR TO SHIPPING.
LEAD TIME APPROXIMATELY 8-10 WEEKS.

\$4800
FINISHES TO ORDER
ADD 30% FOR TARNISHED SILVER

© 2017, APPARATUS LLC



APPARATUS

INFO@APPARATUSSTUDIO.COM / 646.527.9732

APPARATUSSTUDIO.COM