

METRONOME™ ARTICULATING FLOOR LAMP

THE METRONOME SERIES EVOKES THE MEASURE AND BALANCE OF ITS NAMESAKE. A PATINATED BRASS SPHERE PERCHES ATOP THE CONICAL BASE, WHICH IS HAND-WRAPPED IN CALF SUEDE TO PROVIDE A LUSH TACTILE CONTRAST. A CHANNEL IN THE FIRMLY GROUNDED BASE REVEALS AN INTIMATE CONNECTION BETWEEN THE TWO FORMS. A DIMMER KNOB IS SET INTO THE BASE.

© 2017, APPARATUS LLC

METRONOME™ ARTICULATING FLOOR LAMP

STUDIO EXCLUSIVE

DIMENSIONS: 44"-60" H, ROTATING ARM 37.5" L

120V LAMPING: 1 TYPE A G16½ BULB, MAX 60W EACH
60W BULB INCLUDED

240V LAMPING: 1 TYPE E14 BULBS, MAX 60W EACH

UL APPROVED

VOLTAGE: 120-240

FINISHED AND ASSEMBLED BY HAND IN NY FROM
DOMESTIC AND IMPORTED COMPONENTS.

CUSTOMIZATION AVAILABLE.

ALL PIECES MADE TO ORDER.

50% DEPOSIT REQUIRED.

BALANCE DUE PRIOR TO SHIPPING.

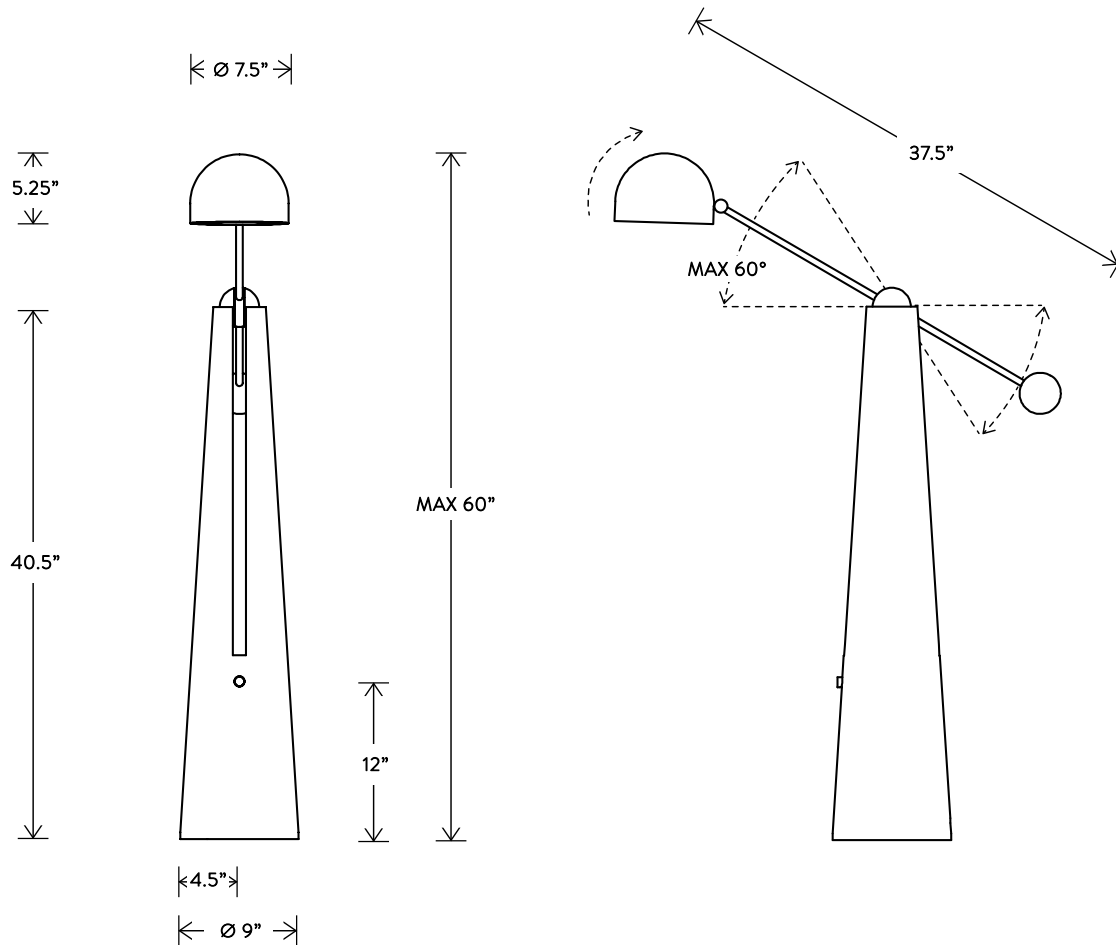
LEAD TIME APPROXIMATELY 8-10 WEEKS.

\$6800

FINISHES TO ORDER

ADD 30% FOR TARNISHED SILVER

© 2017, APPARATUS LLC



APPARATUS

INFO@APPARATUSSTUDIO.COM / 646.527.9732

APPARATUSSTUDIO.COM