



## LANTERN™ 3 PENDANT

THE SLIP-CAST PORCELAIN FORMS OF THE LANTERN SERIES FLOAT ALONG A RIGID BRASS STRUCTURE. THEIR GLOW IS PUNCTUATED BY FINELY INCISED FLUTING, CONNECTING TO THE MOST ESSENTIAL ELEMENT OF HISTORICAL LANTERNS - LIGHT PASSING THROUGH A DELICATE PROTECTIVE FORM. REPEATING SPHERES ACT AS A COUNTERPOINT TO THE SIZEABLE SHADES.

© 2017, APPARATUS LLC

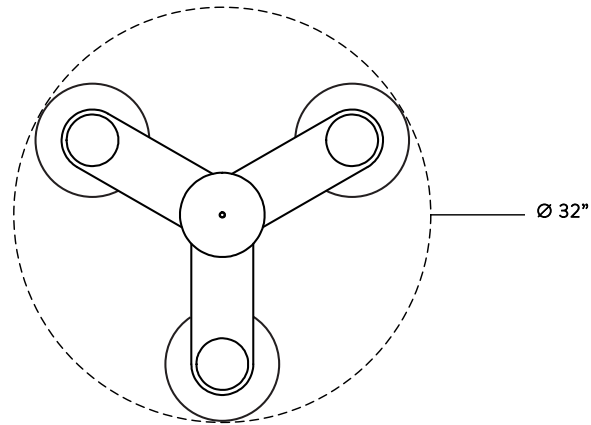
# APPARATUS

INFO@APPARATUSSTUDIO.COM / 646.527.9732

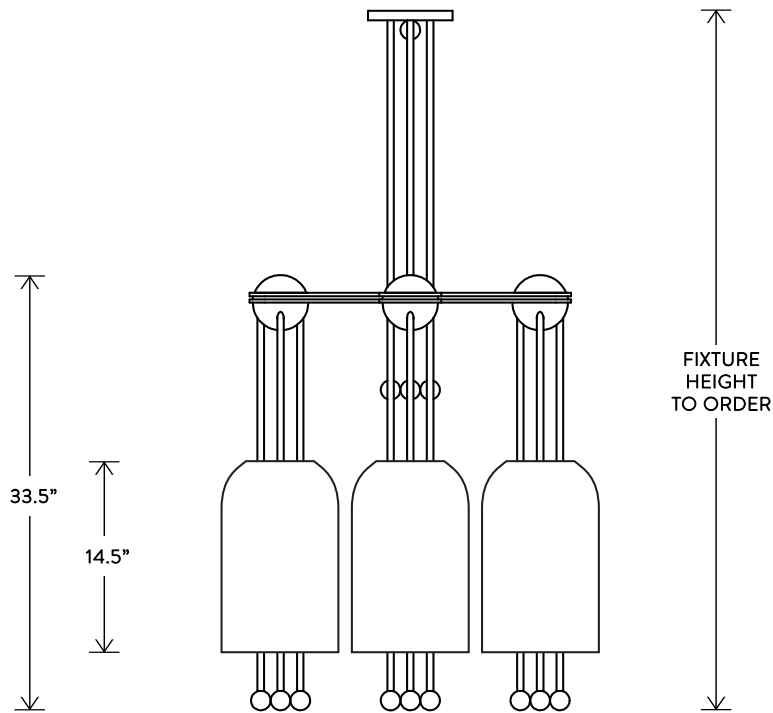
APPARATUSSTUDIO.COM

# LANTERN™ 3

PENDANT



6.5"



DIMENSIONS: Ø 32"  
HEIGHT TO ORDER  
MINIMUM HEIGHT 44"  
INCLUDES UP TO 85"  
ADDITIONAL HEIGHT \$30 PER INCH

120V LAMPING: 9 TYPE E12 G16 BULBS, MAX 60W EACH  
60W BULBS INCLUDED  
240V LAMPING: 9 TYPE E14 BULBS, MAX 60W EACH

CE / UL APPROVED  
VOLTAGE: 120-240

FINISHED AND ASSEMBLED BY HAND IN NY FROM  
DOMESTIC AND IMPORTED COMPONENTS.  
CUSTOMIZATION AVAILABLE.  
ALL PIECES MADE TO ORDER.  
50% DEPOSIT REQUIRED.  
BALANCE DUE PRIOR TO SHIPPING.  
LEAD TIME APPROXIMATELY 8-10 WEEKS.

\$26000  
FINISHES TO ORDER  
ADD 30% FOR TARNISHED SILVER

© 2017, APPARATUS LLC

# APPARATUS

INFO@APPARATUSSTUDIO.COM / 646.527.9732

APPARATUSSTUDIO.COM