



## TASSEL™ 57

THE TASSEL SERIES CONDENSES THE WARMTH AND DECADENCE OF A TRADITIONAL CHANDELIER TO A CONCISE, MODERN CONCLUSION. EMANATING FROM A BRASS DOME, THE LIGHT IS AMPLIFIED AS IT REFRACTS THROUGH MOLD-BLOWN GLASS CYLINDERS.

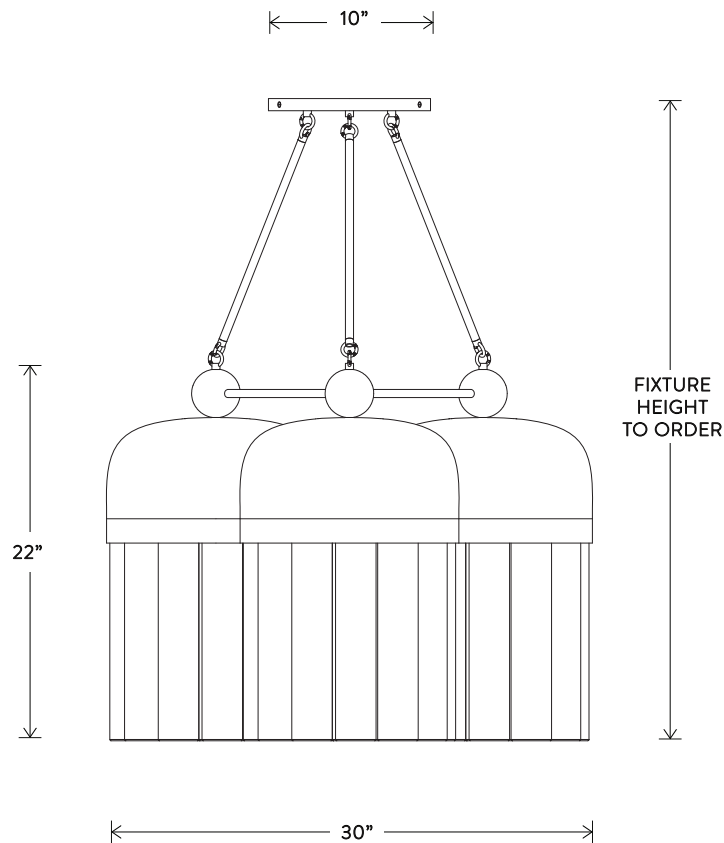
© 2016, APPARATUS LLC

# APPARATUS

INFO@APPARATUSSTUDIO.COM / 646.527.9732

APPARATUSSTUDIO.COM

# TASSEL™ 57



DIMENSIONS: Ø 32.5"  
HEIGHT TO ORDER  
MINIMUM HEIGHT 40"  
INCLUDES UP TO 60"  
ADDITIONAL HEIGHT \$30 PER INCH

LAMPING: 3 18W DIMMABLE LED MODULES  
1750 LUMENS EACH, 2700K COLOR TEMPERATURE  
LED ONBOARD DRIVER  
BULB LIFE: 50,000 HOURS

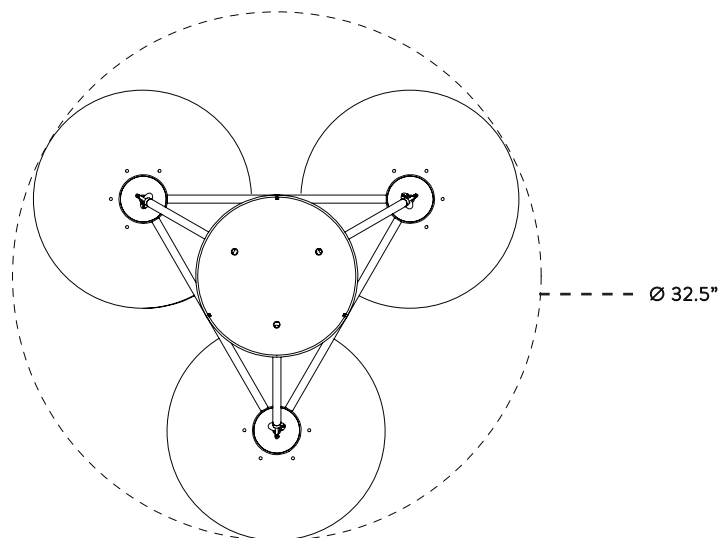
VOLTAGE: 120-240

FINISHED AND ASSEMBLED BY HAND IN NY FROM  
DOMESTIC AND IMPORTED COMPONENTS.  
CUSTOMIZATION AVAILABLE.  
ALL PIECES MADE TO ORDER.  
50% DEPOSIT REQUIRED.  
BALANCE DUE PRIOR TO SHIPPING.  
LEAD TIME APPROXIMATELY 8-10 WEEKS.

\$32000  
FINISHES TO ORDER  
ADD 30% FOR TARNISHED SILVER

REQUIRES A MAGNETIC LOW VOLTAGE DIMMER

© 2016, APPARATUS LLC



# APPARATUS

INFO@APPARATUSSTUDIO.COM / 646.527.9732

APPARATUSSTUDIO.COM