



CYLINDER™

SCONCE

THE CYLINDER SERIES IS A SYSTEM OF FIXTURES THAT ELEVATE THE EXPERIENCE OF FUNCTIONAL LIGHTING. AN ADJUSTABLE HEAD EXTEND FROM AN ELEGANT ARMATURE TO PROVIDE FUNCTIONAL LIGHT.

© 2015, APPARATUS LLC

CYLINDER™

SCONCE

DIMENSIONS: 9" H, 5" W, 6" D

120 V LAMPING:

1 DIMMABLE LED PAR20 BULB 10W EACH
10W BULB INCLUDED

240V LAMPING:

1 DIMMABLE LED PAR20 BULB 5W EACH
5W BULB INCLUDED

CE / UL APPROVED

VOLTAGE: 120-240

FINISHED AND ASSEMBLED BY HAND IN NY FROM
DOMESTIC AND IMPORTED COMPONENTS.

CUSTOMIZATION AVAILABLE.

ALL PIECES MADE TO ORDER.

50% DEPOSIT REQUIRED.

BALANCE DUE PRIOR TO SHIPPING.

LEAD TIME APPROXIMATELY 8-10 WEEKS.

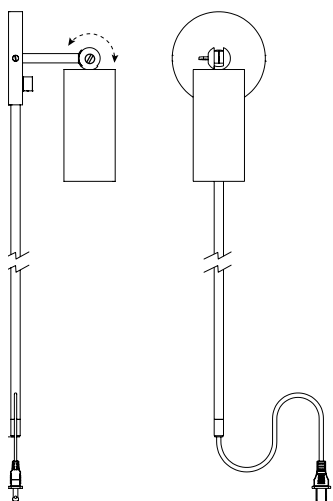
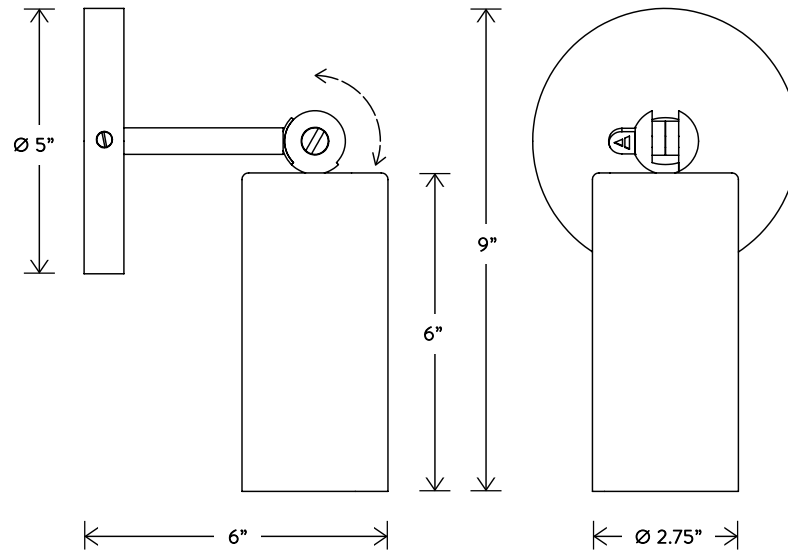
\$1150

\$1400 WITH EXTERNAL MOUNT KIT

FINISHES TO ORDER

ADD 30% FOR TARNISHED SILVER

© 2015, APPARATUS LLC



EXTERNAL MOUNT KIT INCLUDES
60" OF STEM

APPARATUS

INFO@APPARATUSSTUDIO.COM / 646.527.9732

APPARATUSSTUDIO.COM