



TWIG™

SCONCE

A MODERN SOLUTION FOR DIRECTIONAL LIGHTING.

A BRASS ARMATURE AND SHADE EMIT A SOFT POOL

OF LIGHT. SOLID OR TWO-TONE.

© 2015, APPARATUS LLC

APPARATUS

INFO@APPARATUSSTUDIO.COM / 646.527.9732

APPARATUSSTUDIO.COM

# TWIG™

SCONCE

DIMENSIONS: 14" H, 5" W, 6" D

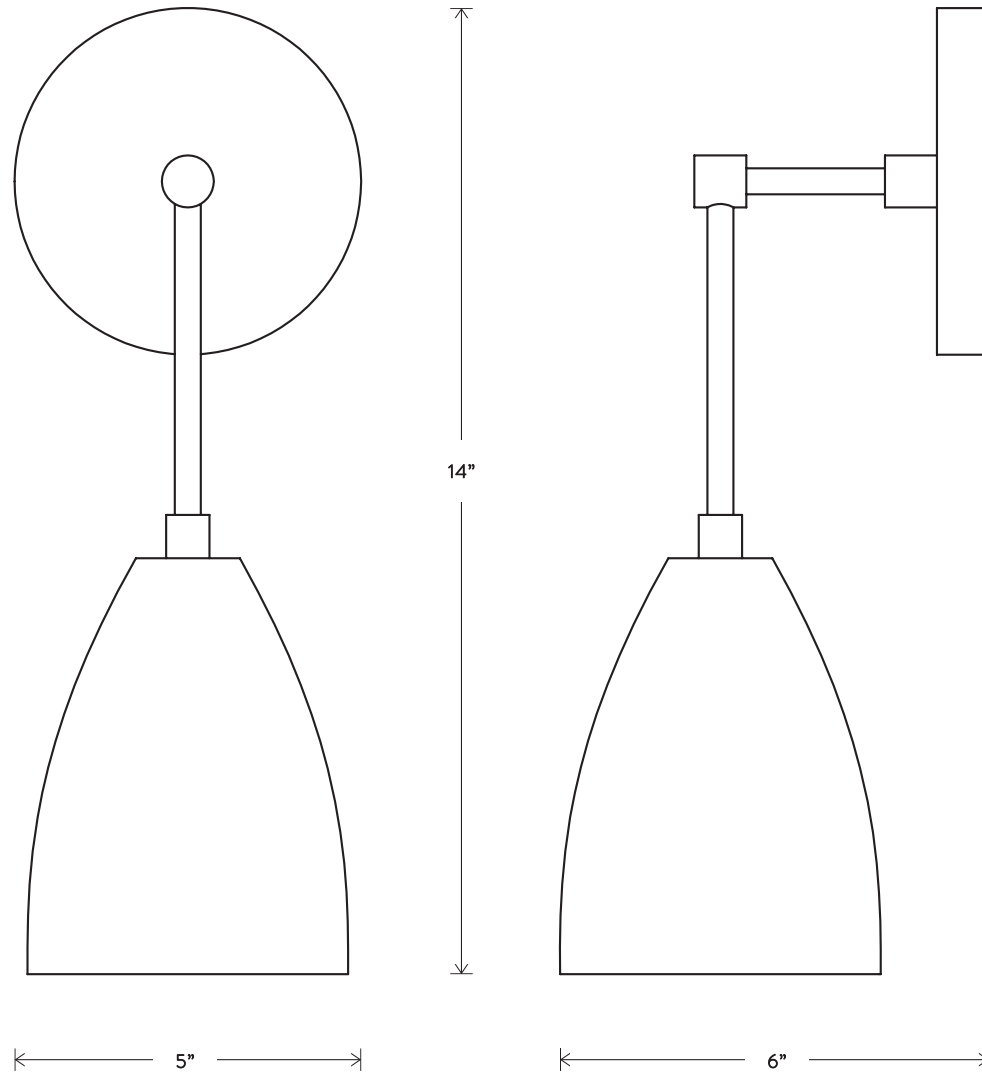
LAMPING: MAX 60W EACH  
1 6W DIMMABLE LED BULB INCLUDED  
480 LUMENS EACH, 2500K COLOR TEMPERATURE  
BULB LIFE: 30,000 HOURS  
120V: E26 GLOBE LG: MATTE WHITE, Ø 3"  
240V: E27 GLOBE LG: MATTE WHITE, Ø 3"

CE / UL APPROVED  
VOLTAGE: 120-240

FINISHED AND ASSEMBLED BY HAND IN NY FROM  
DOMESTIC AND IMPORTED COMPONENTS.  
CUSTOMIZATION AVAILABLE.  
ALL PIECES MADE TO ORDER.  
50% DEPOSIT REQUIRED.  
BALANCE DUE PRIOR TO SHIPPING.  
LEAD TIME APPROXIMATELY 8-10 WEEKS.

\$1250  
FINISHES TO ORDER  
ADD 30% FOR TARNISHED SILVER

© 2015, APPARATUS LLC



# APPARATUS

INFO@APPARATUSSTUDIO.COM / 646.527.9732

APPARATUSSTUDIO.COM