



TRAPEZE™ 6

INSPIRED BY THE TENSION AND DYNAMICS OF THE CIRCUS ACT, THIS PENDANT IS A TRIANGLE FIXED IN SPACE. UNINTERRUPTED LINES SUSPEND GLOWING CIRCLES FROM THE CEILING CREATING SOFT LIGHT AND GRAPHIC APPEAL. AVAILABLE WITH EITHER BRASS OR HAND-CAST PORCELAIN BOWLS.

© 2014, APPARATUS LLC
Patent No. D767,197

APPARATUS

INFO@APPARATUSSTUDIO.COM / 646.527.9732

APPARATUSSTUDIO.COM

TRAPEZE™ 6

DIMENSIONS: 32" W, 10.5" D
HEIGHT TO ORDER
INCLUDES UP TO 60"
ADDITIONAL HEIGHT \$20 PER INCH
MINIMUM HEIGHT 16"

LAMPING: MAX 60W EACH
6 3W DIMMABLE LED BULBS INCLUDED
240 LUMENS EACH, 2500K COLOR TEMPERATURE
BULB LIFE: 30,000 HOURS
120V: E12 GLOBE SM: MATTE WHITE, Ø 1.75"
240V: E14 GLOBE SM: MATTE WHITE, Ø 1.75"

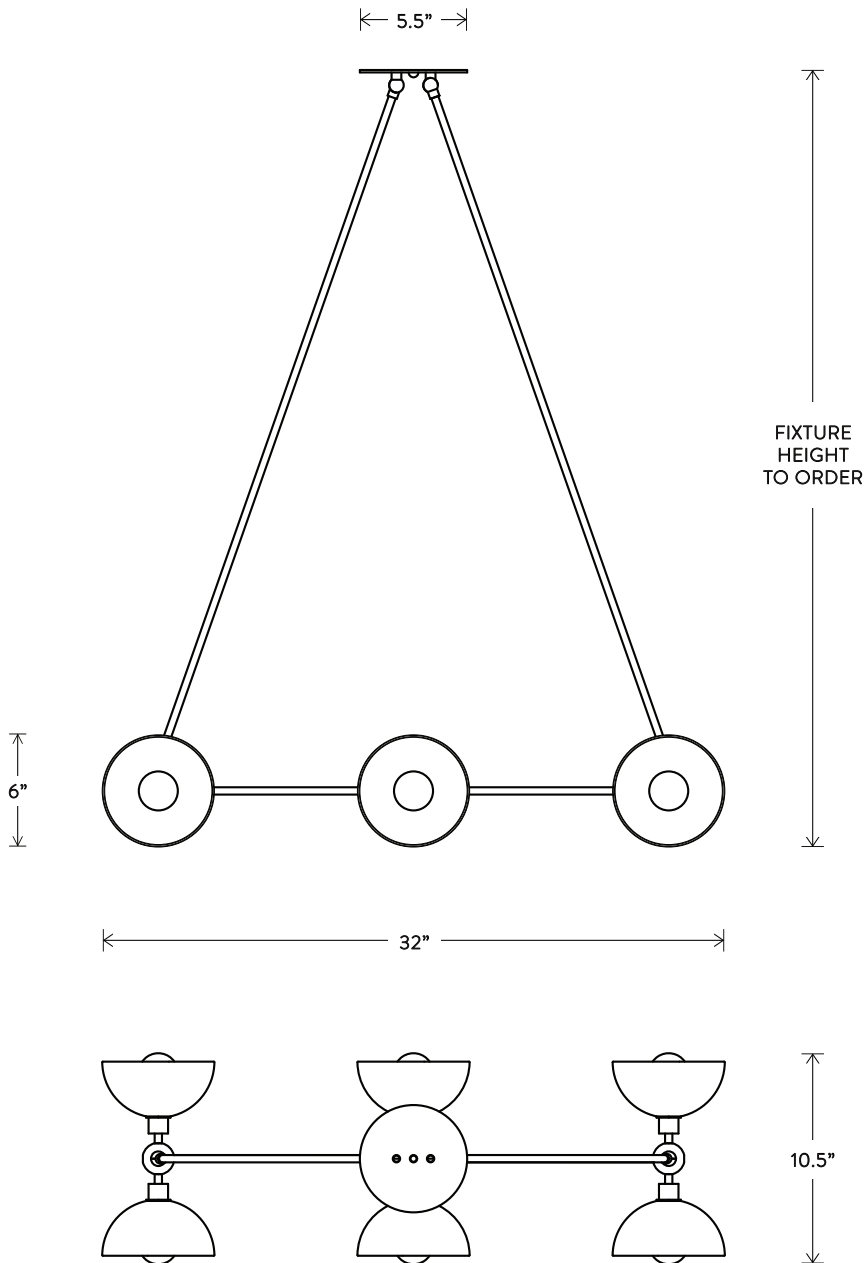
CE / UL APPROVED
VOLTAGE: 120-240

FINISHED AND ASSEMBLED BY HAND IN NY FROM
DOMESTIC AND IMPORTED COMPONENTS.
CUSTOMIZATION AVAILABLE.
ALL PIECES MADE TO ORDER.
50% DEPOSIT REQUIRED.
BALANCE DUE PRIOR TO SHIPPING.
LEAD TIME APPROXIMATELY 8-10 WEEKS.

\$4250 BRASS
\$4950 PORCELAIN OR TWO-TONE BOWLS
TWO-TONE IS AGED BRASS BOWL INTERIOR WITH
BLACKENED BRASS BOWL EXTERIOR.
FINISHES TO ORDER
ADD 30% FOR TARNISHED SILVER

© 2014, APPARATUS LLC

Patent No. D767,197



APPARATUS

INFO@APPARATUSSTUDIO.COM / 646.527.9732

A P P A R A T U S S T U D I O . C O M