



TRAPEZE™ 2

INSPIRED BY THE TENSION AND DYNAMICS OF THE CIRCUS ACT. AVAILABLE WITH EITHER BRASS OR HAND-CAST PORCELAIN BOWLS WHICH CAN BE ROTATED AROUND THE CENTRAL AXIS.

© 2014, APPARATUS LLC
Patent No. D767,197

APPARATUS

INFO@APPARATUSSTUDIO.COM / 646.527.9732

APPARATUSSTUDIO.COM

TRAPEZE™ 2

DIMENSIONS: 24" W, 5.5" D

LAMPING: MAX 60W EACH
2 3W DIMMABLE LED BULBS INCLUDED
240 LUMENS EACH, 2500K COLOR TEMPERATURE
BULB LIFE: 30,000 HOURS
120V: E12 GLOBE SM: MATTE WHITE, Ø 1.75"
240V: E14 GLOBE SM: MATTE WHITE, Ø 1.75"

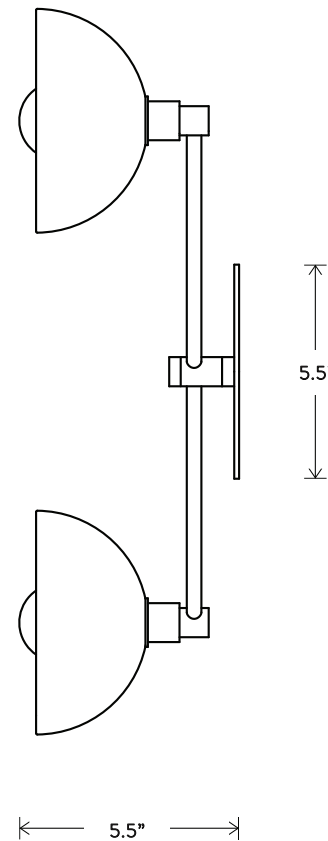
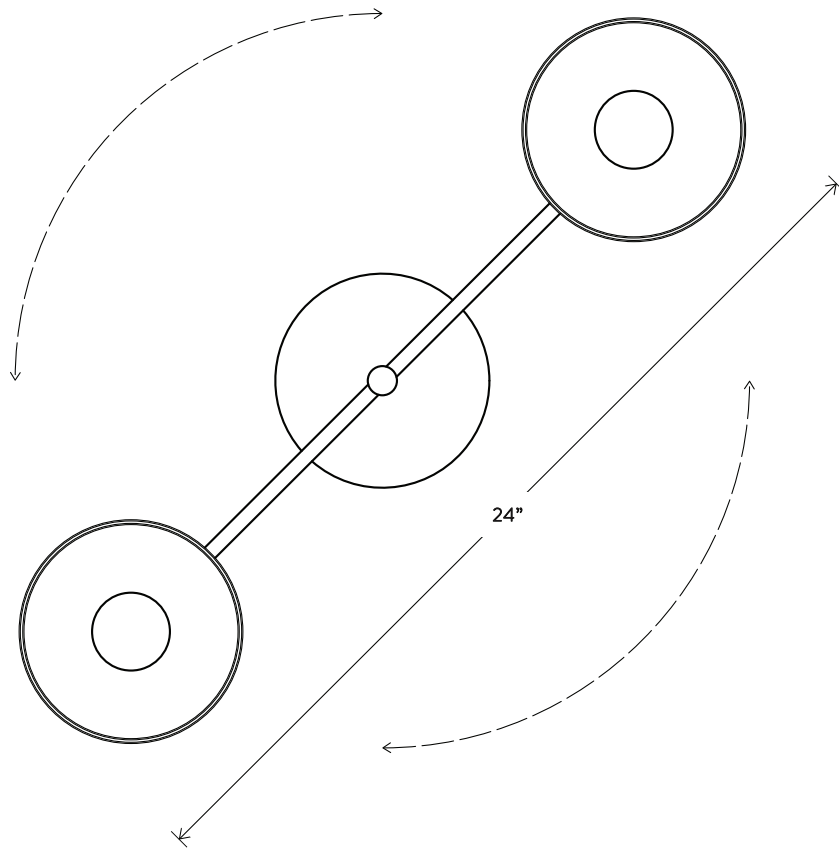
CE / UL APPROVED
VOLTAGE: 120-240

FINISHED AND ASSEMBLED BY HAND IN NY FROM
DOMESTIC AND IMPORTED COMPONENTS.
CUSTOMIZATION AVAILABLE.
ALL PIECES MADE TO ORDER.
50% DEPOSIT REQUIRED.
BALANCE DUE PRIOR TO SHIPPING.
LEAD TIME APPROXIMATELY 8-10 WEEKS.

\$1450 BRASS
\$1650 PORCELAIN OR TWO-TONE BOWLS
TWO-TONE IS AGED BRASS BOWL INTERIOR WITH
BLACKENED BRASS BOWL EXTERIOR.
FINISHES TO ORDER
ADD 30% FOR TARNISHED SILVER

© 2014, APPARATUS LLC

Patent No. D767,197



APPARATUS

INFO@APPARATUSSTUDIO.COM / 646.527.9732

APPARATUSSTUDIO.COM