



TASSEL™ 57

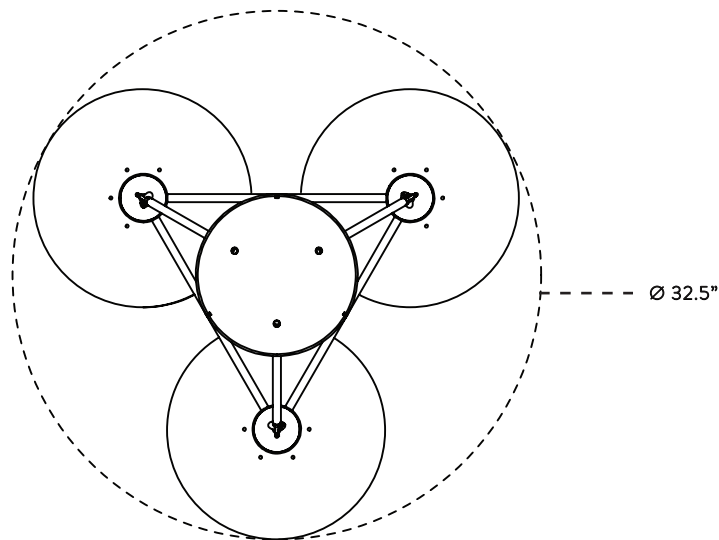
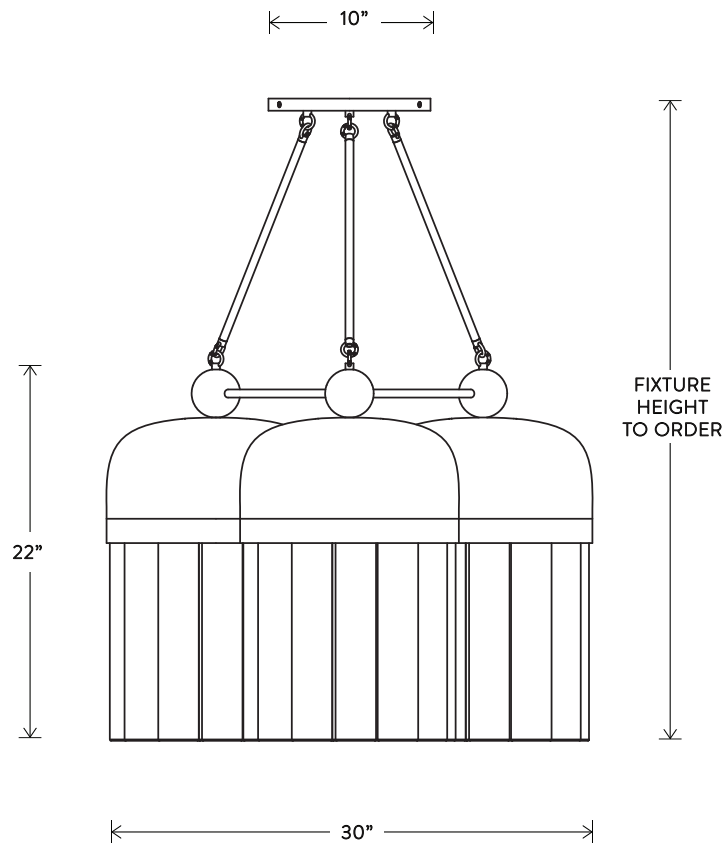
THE TASSEL SERIES CONDENSES THE WARMTH AND DECADENCE OF A TRADITIONAL CHANDELIER TO A CONCISE, MODERN CONCLUSION. EMANATING FROM A BRASS DOME, THE LIGHT IS AMPLIFIED AS IT REFRACTS THROUGH MOLD-BLOWN GLASS CYLINDERS.

© 2016, APPARATUS LLC

APPARATUS

INFO@APPARATUSSTUDIO.COM / 646.527.9732

APPARATUSSTUDIO.COM



TASSEL™ 57

DIMENSIONS: Ø 32.5"
 HEIGHT TO ORDER
 MINIMUM HEIGHT 40"
 INCLUDES UP TO 60"
 ADDITIONAL HEIGHT \$30 PER INCH

LAMPING: 3 18W DIMMABLE LED MODULES
 1750 LUMENS EACH, 2700K COLOR TEMPERATURE
 LED ONBOARD DRIVER
 BULB LIFE: 50,000 HOURS
 VOLTAGE: 120-240

FINISHED AND ASSEMBLED BY HAND IN NY FROM
 DOMESTIC AND IMPORTED COMPONENTS.
 CUSTOMIZATION AVAILABLE.
 ALL PIECES MADE TO ORDER.
 50% DEPOSIT REQUIRED.
 BALANCE DUE PRIOR TO SHIPPING.
 LEAD TIME APPROXIMATELY 8-10 WEEKS.

\$32000
 FINISHES TO ORDER
 ADD 30% FOR TARNISHED SILVER

REQUIRES A MAGNETIC LOW VOLTAGE DIMMER

© 2016, APPARATUS LLC

[← RETURN TO THUMBNAILS](#)

APPARATUS

INFO@APPARATUSSTUDIO.COM / 646.527.9732

APPARATUSSTUDIO.COM