



**COLUMN**<sup>™</sup> TABLE LAMP

INSPIRED BY FOUND ARCHITECTURAL SALVAGE, THESE LAMPS ARE HAND-CRAFTED FROM ASH AND BRASS. AVAILABLE WITH BLEACHED OR BLACKENED WOOD.

© 2012, APPARATUS LLC

# COLUMN™

TABLE LAMP

DIMENSIONS: 30"H, 18"W INCLUSIVE OF SHADE

LAMPING: 2 TYPE A G16 BULBS MAX 60W EACH  
40W BULBS INCLUDED

UL APPROVED

VOLTAGE: 120

FINISHED AND ASSEMBLED BY HAND IN NY FROM  
DOMESTIC AND IMPORTED COMPONENTS.

CUSTOMIZATION AVAILABLE.

ALL PIECES MADE TO ORDER.

50% DEPOSIT REQUIRED.

BALANCE DUE PRIOR TO SHIPPING.

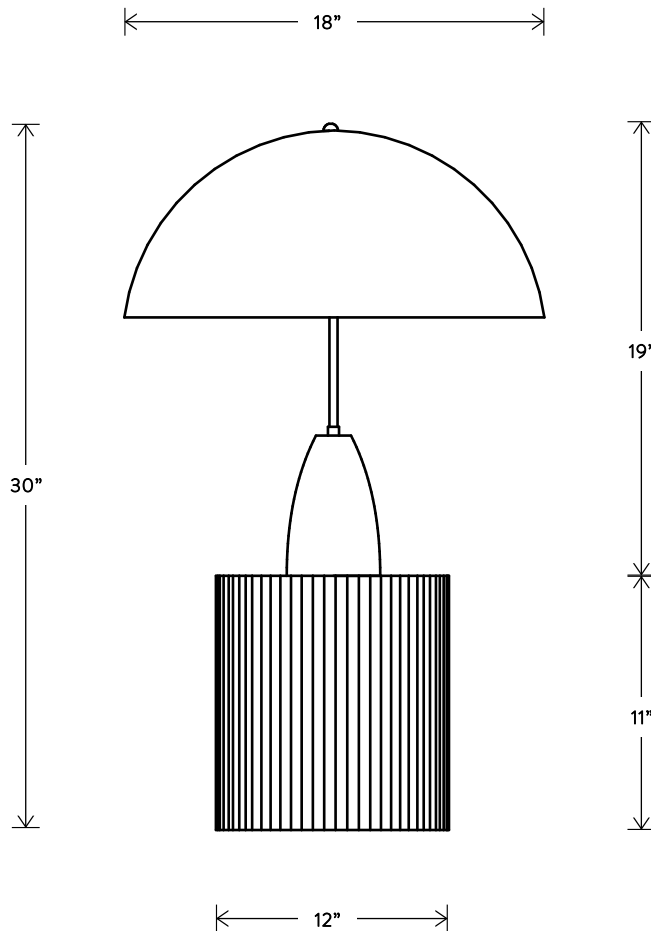
LEAD TIME APPROXIMATELY 8-10 WEEKS.

\$3600

FINISHES TO ORDER

ADD 30% FOR TARNISHED SILVER

© 2012, APPARATUS LLC



# APPARATUS

INFO@APPARATUSSTUDIO.COM / 646.527.9732

APPARATUSSTUDIO.COM