



COLUMN[™] FLOOR LAMP

INSPIRED BY FOUND ARCHITECTURAL SALVAGE, THESE LAMPS ARE HAND-CRAFTED FROM ASH AND BRASS. AVAILABLE WITH BLEACHED OR BLACKENED WOOD.

© 2012, APPARATUS LLC

COLUMN™

FLOOR LAMP

DIMENSIONS: 63"H, 18"W INCLUSIVE OF SHADE

LAMPING: 2 TYPE A G16 BULBS MAX 60W EACH
40W BULBS INCLUDED

UL APPROVED

VOLTAGE: 120

FINISHED AND ASSEMBLED BY HAND IN NY FROM
DOMESTIC AND IMPORTED COMPONENTS.

CUSTOMIZATION AVAILABLE.

ALL PIECES MADE TO ORDER.

50% DEPOSIT REQUIRED.

BALANCE DUE PRIOR TO SHIPPING.

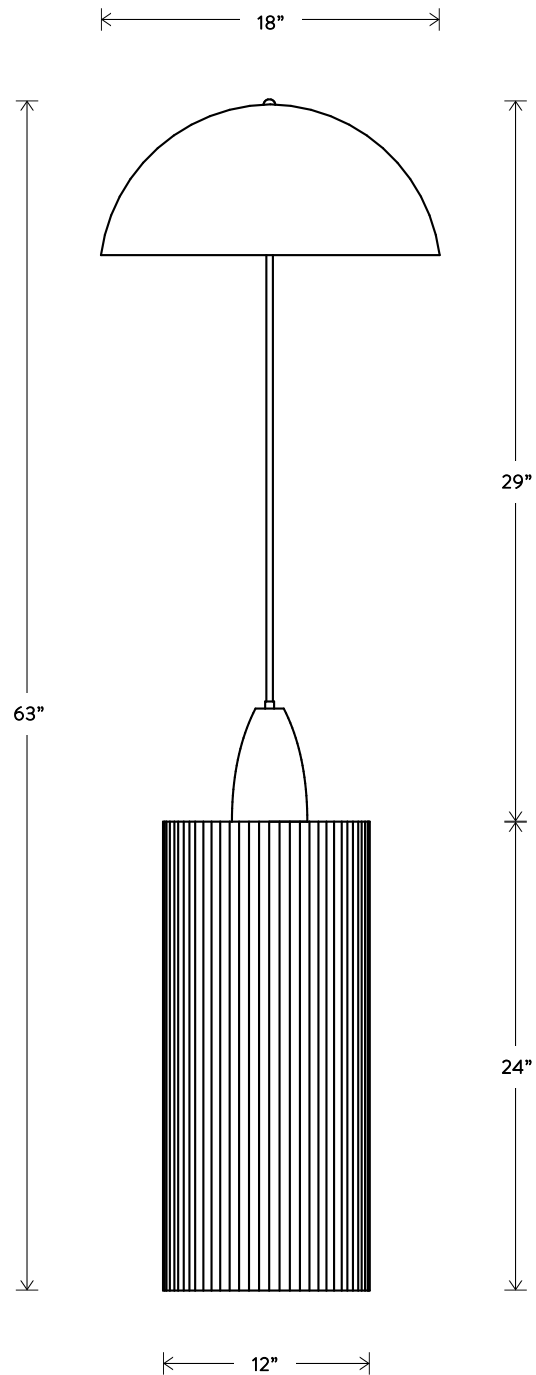
LEAD TIME APPROXIMATELY 8-10 WEEKS.

\$4900

FINISHES TO ORDER

ADD 30% FOR TARNISHED SILVER

© 2012, APPARATUS LLC



APPARATUS

INFO@APPARATUSSTUDIO.COM / 646.527.9732

APPARATUSSTUDIO.COM